

Constant Radius Template

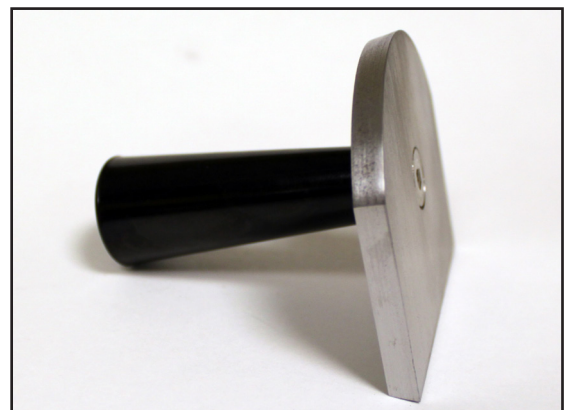
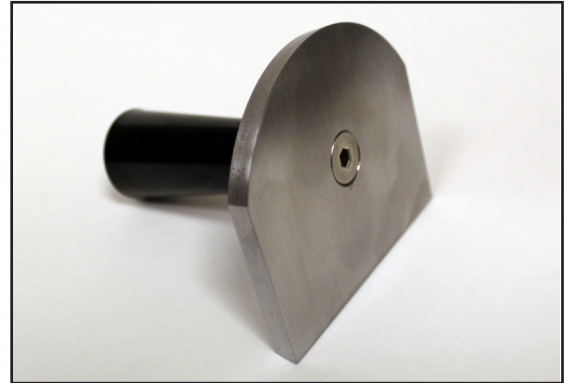
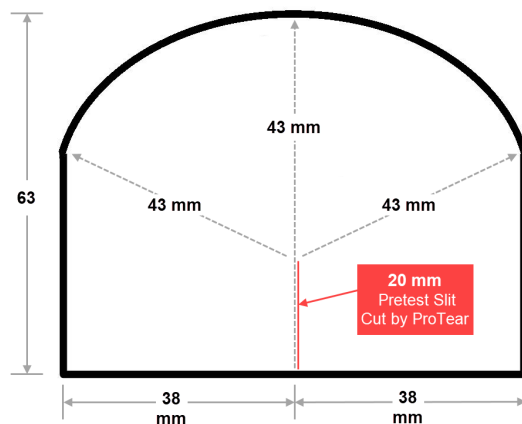
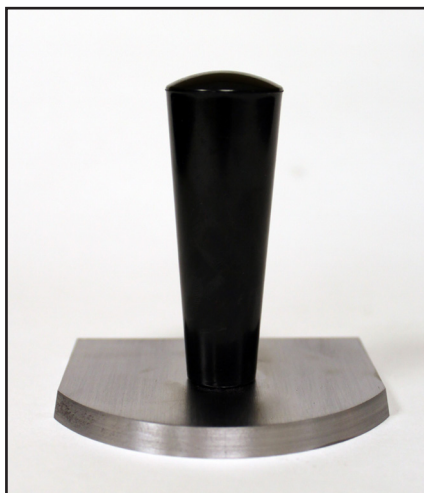
Prepare Elmendorf Tear Samples

The constant radius sample template (60-3004) is ideal for plastic films. The sample template is designed to meet ASTM D1922 with a sample width of 63 mm.

The template is placed on the sample with the plate facing down as shown below. A straight blade is used to cut along the edge of the template.

Cutting Specifications

Cut Width: 63 mm (2.48 in)
Cut Length: 76 mm (3 in)



Template does not cut the pretest slit.
This is cut by the ProTear prior to testing.



Thwing-Albert
Instrument Company



TA050222

thwingalbert.com