

Ribbon Grips

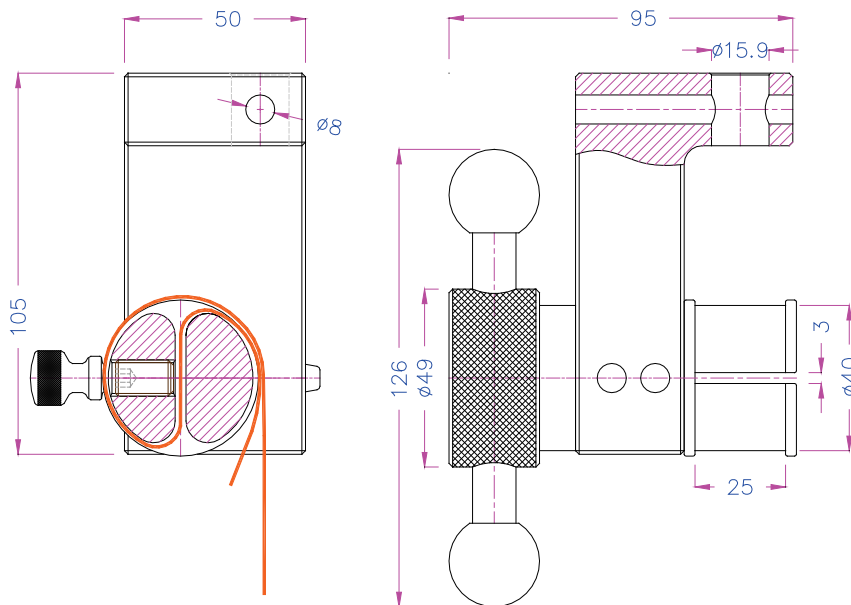
TA252

TA252-40-25 RIBBON GRIPS

to test thin narrow webbing, straps and ribbons.

The sample is wrapped around a self-tightening roller to minimize its slippage.

TA252-40-25	
Max. load:	20 kN
Max. sample thickness:	2.5 mm (0.098 in)
Max. sample width:	25 mm (0.98 in)
Min. sample length:	550 mm (21.7 in)
Coupling:	Af159 or Af20 Further couplings on request
Body:	Anodized aluminium
Roller:	40 mm (1.57 in) Ø; steel, nickel-plated
Temperature range:	0 ... +70°C Further temperature ranges on request
Weight:	1.2 kg per grip
Scope of delivery:	1 pair of grips



Thwing-Albert
Instrument Company



TA062322

thwingalbert.com