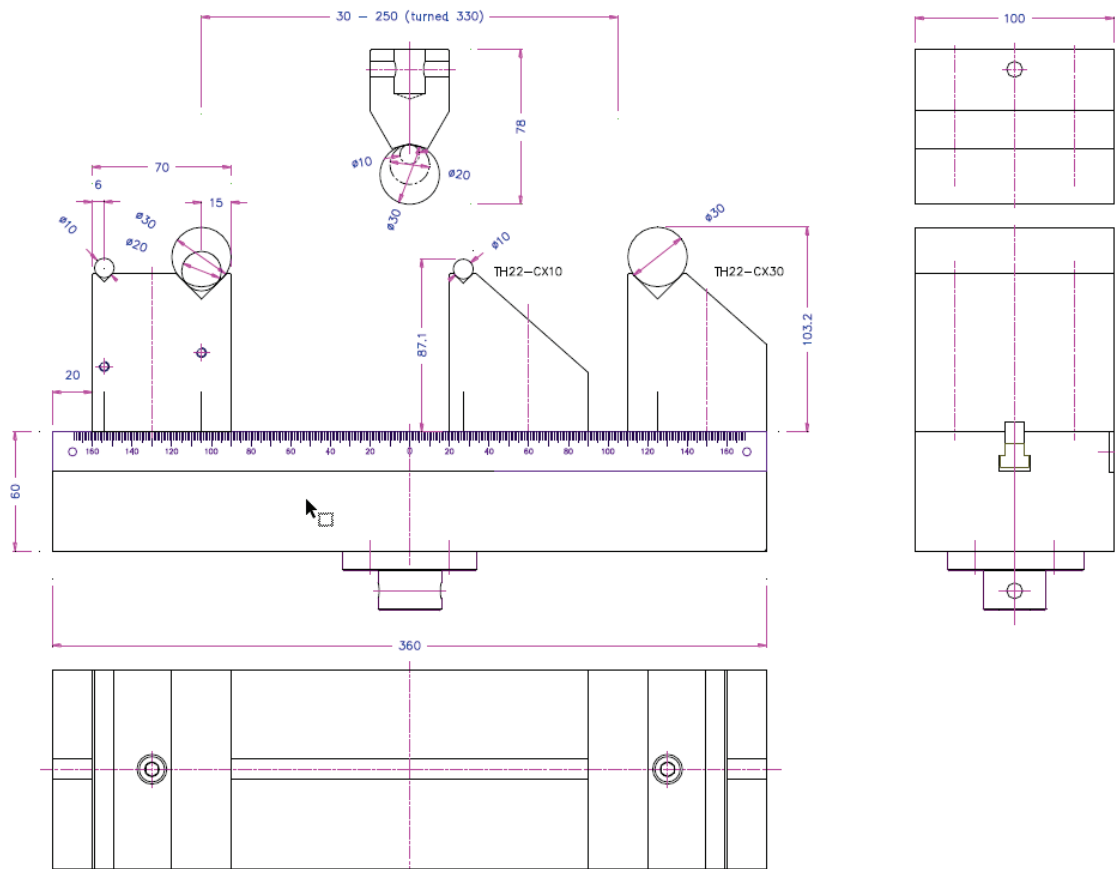
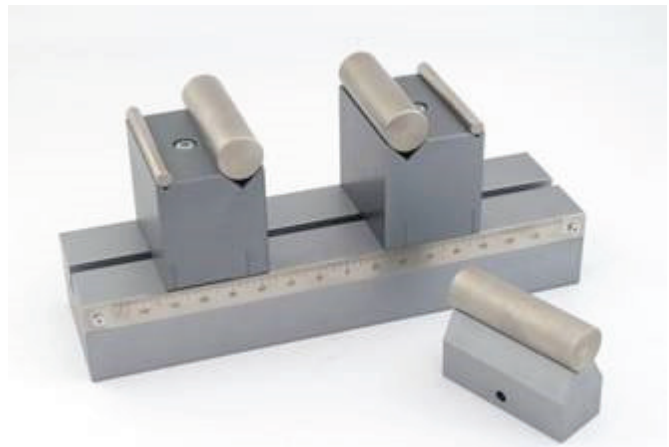


# 3 & 4 Point Bending Fixture

TA22

50 kN (11250 lb) or 250 kN (55,000 lb)

- Standard bending device for universal use
- 360 x 100mm
- Max distance 250mm
- Diameter of roller 10, 20, 30mm
- Variety of configurations for 3-point and 4-point bending applications



# 3 & 4 Point Bending Fixture

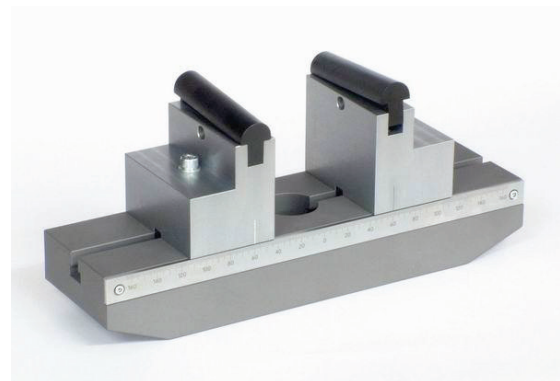
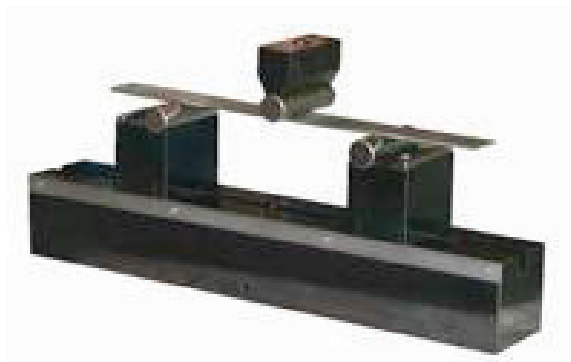
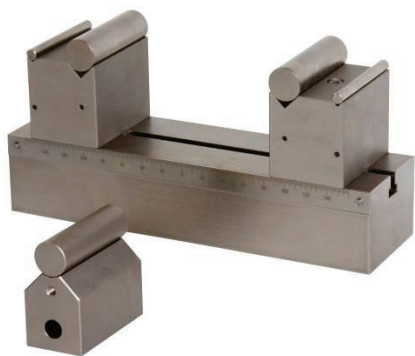
TA22

## Bar Length Options

Aluminum: 240, 360, 400, 500, 600, 700, 800, 900, 1000, 1100, 1200, 1300mm ( 50kN)

Steel: 240, 360, 500, 600 mm (250kN)

Examples of different configurations – inquire about your specific application.



**Thwing-Albert**  
Instrument Company



TA062322

[thwingalbert.com](http://thwingalbert.com)