

Pneumatic Bollard Grips

TAS13

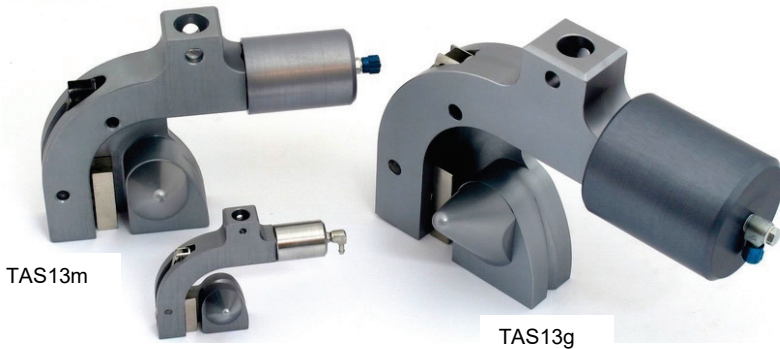
TAS13 Pneumatic Grips Bollard Style 200N, 2kN and 5kN

TAS13 grips are applicable (depending on type) for fibers, fine wires, cords, filaments yarns, cord etc.

Guide horn with centering groove

180° redirection of specimen

-> The breakage of the specimen in the clamping area is prevented by generating a slow notch free stress relief



TAS13m

TAS13g

Item number	TAS13k and TAS13+BD	TAS13m and TAS13m+BD	TAS13g and TAS13g+BD
Applicable for	Fibers, filaments etc up to 200N	Yarns, cords, strands etc up to 2kN	Wires, strands, cords etc up to 5kN
Tensile force	200 N / 7 bar	2 kN / 7 bar	5 kN / 7 bar
Recommended specimen diameter	1 mm Ø	2 mm Ø	3 mm Ø
Minimal specimen length	15 cm	25 cm	30 cm
Jaws surfaces	Blank jaws (TAS13k) Diamond jaws (TAS13k+BD) Other surfaces on request	Blank jaws (TAS13m) Diamond jaws (TAS13m+BD) Other surfaces on request	Blank jaws (TAS13g) Diamond jaws (TAS13g+BD) Other surfaces on request
Clamping surface of jaws HxW	6 x 20mm	12 x 36mm	15 x 44mm
Temperature range* * Other temperature ranges on request	-10 – 80°C*	-10 – 80°C*	-10 – 80°C*
Pneumatic connection	M3 for micro fittings or with additional adapter (TA205-PK23) for 1/8" normal pneumatics	Internal thread M5	Internal thread M5
Body	Aluminum, anodized	Aluminum, anodized	Aluminum, anodized
Weight inclusive jaws	102 gram per grip	0.59 kg per grip	1.25 kg per grip
Ordering information Scope of delivery	Item No. TAS13k: 1 pair of grips incl. blank jaws and adapter TA205-PK23 Item No. TAS13k+BD: 1 of grips pair incl. diamond jaws and adapter TA205-PK23	Item No. TAS13m: 1 pair of grips incl. blank jaws Item No. TAS13m+BD: 1 pair of grips incl. diamond jaws	Item No. TAS13g: 1 pair of grips incl. blank jaws Item No. TAS13g+BD: 1 pair of grips incl. diamond jaws



Thwing-Albert
Instrument Company

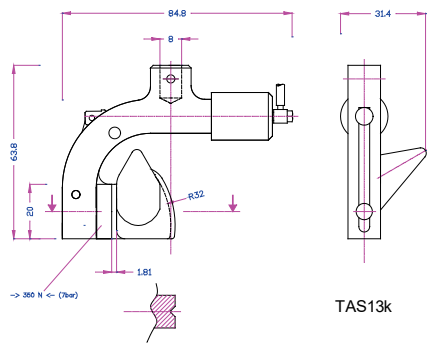


TA062322

thwingalbert.com

Pneumatic Bollard Grips

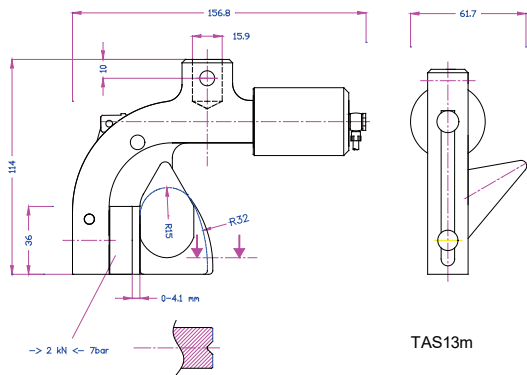
TAS13



TAS13k



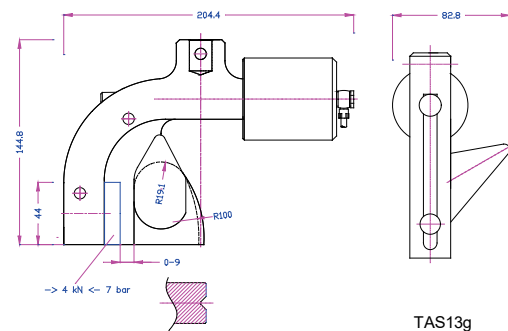
TAS13k with TA205-PK23 adapter



TAS13m



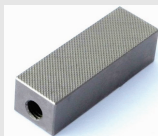
TAS13m with TAS13m-BG rubber jaws



TAS13g



Examples of special versions:



TAS13m-BP0.5
Fine pyramids (serrated, cross cut) 0.5x45°



TAS13m-BG and TAS13k-BG
Rubber jaws for TAS13



TAS13m-SS
Stainless steel guide horn (ASTMD7279)



Thwing-Albert
Instrument Company



TA062322

thwingalbert.com