

Vise Grip

TA56g

TA56g Vise Grip

Opening: 0 – 15mm (depending on jaws)

Weight: 1.04kg per item (without jaws)

TA56g-H200 Vise grip

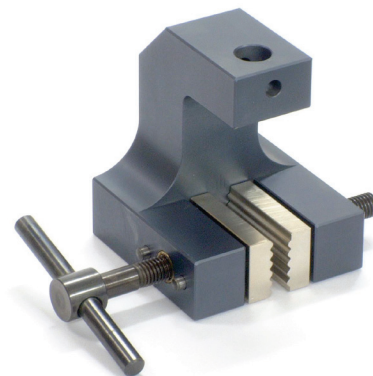
Total height: 220mm

Distance between lower edge of jaws and coupling: 200mm

Opening: 0 – 44mm (depending on jaws)

Weight: 1.7kg per item (without jaws)

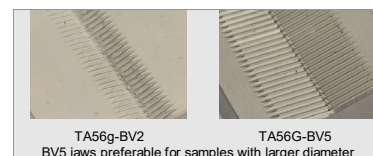
- A versatile general purpose grip applicable for plastics, textiles, paper, steel foils, aluminium etc.
- Jaws adjust to specimen by socket bearing
- Tensile force: 5 kN
- Temperature range: 0°C - +180°C (depending on jaws)
Other temperature ranges possible on request
- Body: aluminium, anodized
- Scope of delivery: 1 pair without jaws
- Also as pneumatic grip available (see data sheet TA56g+ko)



Jaws for TA56g: Scope of delivery 1 set = 4 jaws

Item No.	Surface	Clamping surface H x W	Opening TA56g	Opening TA56g-H200	Weight per pair
TA56g-B	Blank jaws	30 x 50mm	0 – 15mm	0 – 44mm	0.22kg
TA56g-BG	Rubber jaws	30 x 50mm	0 – 13mm	0 – 42mm	0.22kg
TA56g-BP	Pyramid jaws	30 x 50mm	0 – 15mm	0 – 44mm	0.21kg
TA56g-BV2	V-jaws	30 x 50mm	Ø 2 – 15 mm	Ø 2 – 41 mm	0.22kg
TA56g-BV5	V-jaws	30 x 50mm	Ø 5 – 11 mm	Ø 5 – 41 mm	0.26kg
TA56g-BW	Wave jaws	30 x 50mm	0 – 15mm	0 – 44mm	0.20kg
TA56g-BD	Diamond jaws	30 x 50mm	0 – 15mm	0 – 44mm	0.22kg

Jaws with other dimensions and surface coatings on request



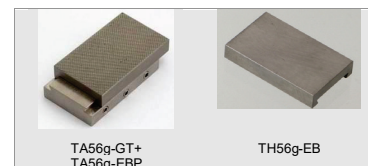
TA56g-BV2 TA56g-BV5
BV5 jaws preferable for samples with larger diameter

Inset jaws for TA56g: Scope of delivery 1 set = 4 jaws

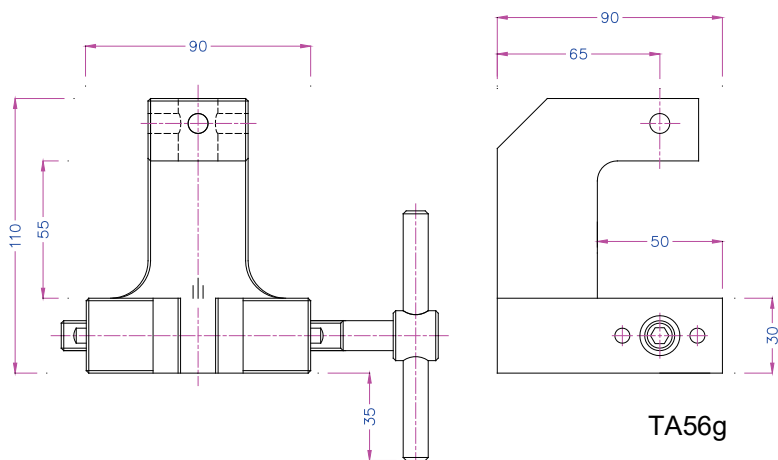
Quick change system - Inset jaws require carriers (TA56g-GT)

Item No.	Surface	Clamping surface H x W	Opening TA56g	Opening TA56g-H200	Weight per pair
TA56g-GT	Carrier	-			0.18kg
TA56g-EB	Blank inset jaws	30 x 50mm	0 – 5mm	0 – 34mm	0.14kg
TA56g-EBG	Rubber inset jaws	30 x 50mm	0 – 3mm	0 – 32mm	0.14kg
TA56g-EBP	Pyramid inset jaws	30 x 50mm	0 – 5mm	0 – 34mm	0.13kg
TA56g-EBD	Diamond inset jaws	30 x 50mm	0 – 5mm	0 – 34mm	0.14kg

Jaws with other dimensions and surface coatings on request



TA56g-GT+ TH56g-EB
TA56g-EBP



TA56g

Blank jaws

- Suitable for own further treatments
- Steel-blanks without coating

Rubber jaws

- 1mm rubber coating (NBR)
- Nickel plated

Pyramid jaws

- Pyramid 1.2x45°
- Hardened steel 58 HRC
- Nickel plated

V-jaws

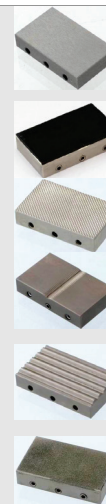
- For all kinds of round samples
- Tooth pitch 1.2 mm.
- Tempered steel 58 HRC,
- Nickel plated -

Wave jaws

- For flexible materials
- Wave 5 mm
- Hardened steel 58 HRC
- Nickel plated

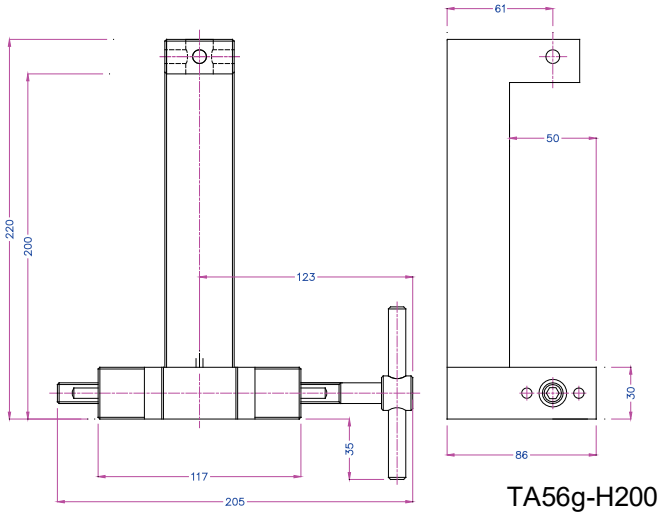
Diamond jaws

- Clamping surface coated with synthetic diamonds
- Nickel plated

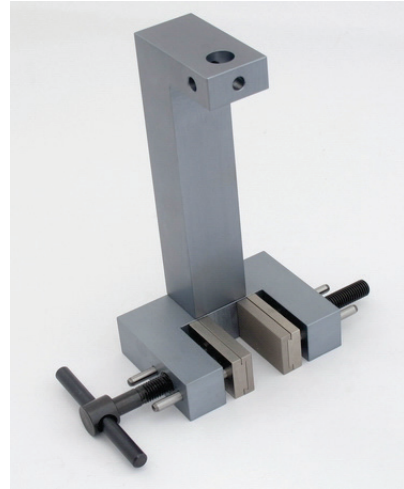


Pneumatic Wedge Grip

TAS1302



TA56g-H200

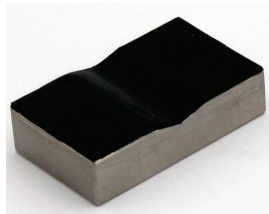


TA56g-H200+GT+EBP

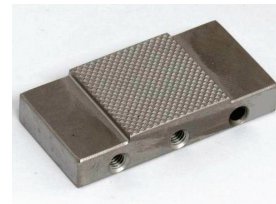
Examples of other versions and custom built solutions



TA56g-EI
Optional for TA56g quick-release lever



TA56g-BVG
Rubber coated V-jaws

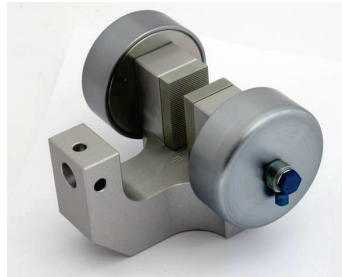


TA56g-BP25x25
Clamping surface 25x25mm

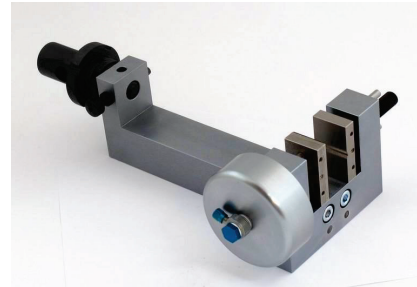
Pneumatic versions (see data sheet TA56g+ko)



TA56g+Ko+BW



TA56g+2Ko+BP



TA56g-H200+Ko+BV
with Adapter TAS626-158-317



Thwing-Albert
Instrument Company



TA062322

thwingalbert.com