

# Square Compression Platen

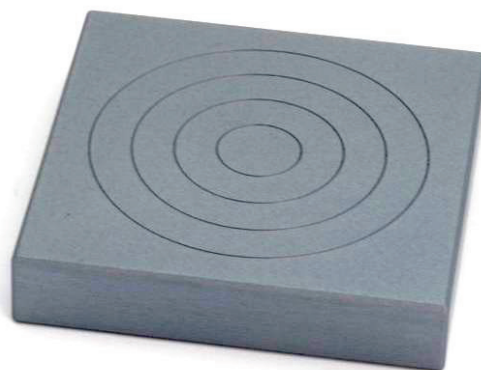
TA36

## TA36 Aluminium Compression platen

- Soft samples, cardboards, plastics, etc.
- Aluminium anodized
- Temperature range: -70°C - +180°C
- Max capacity depends on the size of coupling
- Scope of supply 1 pair

Item number	Dimensions	Weight/ each platen
TA36-50	50 x 50mm	0.20 kg
TA36-100	100 x 100mm	0.52 kg
TA36-120	120 x 120mm	0.78 kg
TA36-120x180	120 x 180mm	1.14 kg
TA36-125x250	125 x 250mm	1.73 kg
TA36-150	150 x 150mm	1.23 kg
TA36-150x300	150 x 300mm	2.35 kg
TA36-200	200 x 200mm	2.10 kg
TA36-250	250 x 250mm	3.40 kg
TA36-300	300 x 300mm	4.35 kg
TA36-350	350 x 350mm	6.60 kg
TA36-400	400 x 400mm	8.70 kg
TA36-400x600	400 x 600mm	13.40 kg
TA36-500	500 x 500mm	14.00 kg

Further dimensions and versions on request



## TA36-St Steel Compression platen

- Hard materials, steel, plastics, stone etc.
- Hardened steel 58HRC
- Temperature range: 0°C - +350°C  
Nickel plated: -70°C - +350°C (on request)
- Max capacity depends on the size of coupling
- Scope of supply 1 plate

Item number	Dimensions	Weight
TA36-100-St	100 x 100mm	1.54 kg
TA36-196-St	196 x 196mm	6.60 kg
TA36-246-St	246 x 246mm	10.40 kg
TA36-296-St	296 x 296mm	13.60 kg
TA36-396-St	396 x 396mm	33.00 kg
TA36-396x496-St	396 x 496mm	41.00 kg
TA36-396x596-St	396 x 596mm	50.00 kg

Further dimensions and versions on request

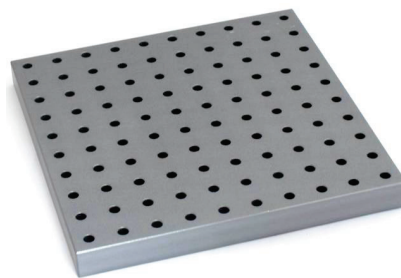


## TA36-L Aluminium plate

- Perforated platen suitable for foam testing.
- Aluminium anodized
- Diameter of holes: 6 mm spaced 20 mm
- Temperature range : 0°C - +180°C
- Max capacity depends on the size of coupling
- Scope of supply 1 plate

Item number	Dimensions	Weight
TA36-120-L6x20	120 x 120mm	0.74kg
TA36-150-L6x20	150 x 150mm	1.10kg
TA36-150x220-L6x20	150 x 220mm	1.68kg
TA36-400-L6x20	400 x 400mm	8.20 kg

Further dimensions and versions on request



TA36-D296-Am318  
Special design



**Thwing-Albert**  
Instrument Company

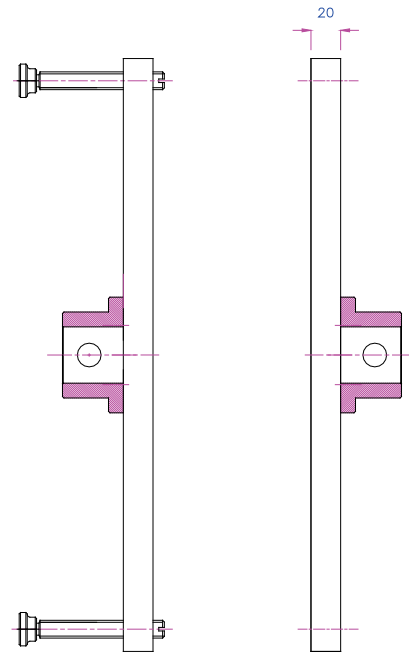
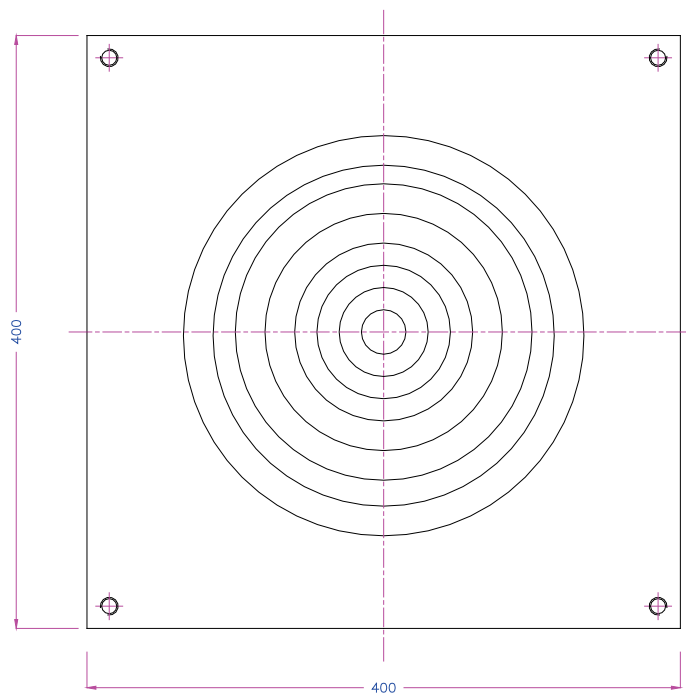


TA062322

thwingalbert.com

# Square Compression Platen

TA36



TA36-400

