

733K Pneumatic Grips

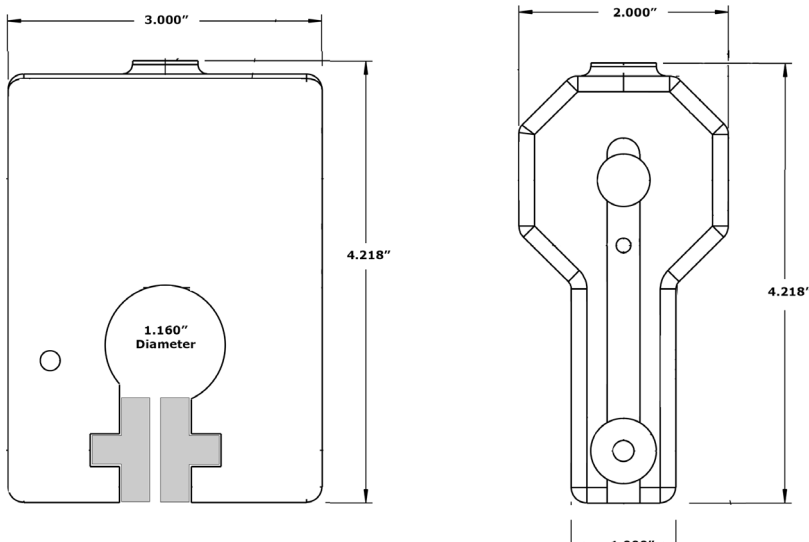
500N / 112 lbf

The 733K Pneumatic Grips offer exceptional value for general purpose testing of material such as pulp handsheets, paper, paperboard, plastic films, flexible packaging, foils, nonwovens and other sheet materials. Compact and lightweight, these grips are ideal for lower strength materials testing offering a clamping force of 500N (112 lbf).

- Applicable for paper, plastic films, and flexible packaging
- Aluminum construction
- Grip opening is 4.7 mm w/ Smooth or Serrated Jaws
Grip opening is 3.2 mm w/ Rubber Jaws
- Length of single grip is 135 mm
- Weight of single grip is:
650 gm (1.4 lb) without jaws
- Clamping Force: 500 N (112 lbf)

Jaw Details

- Required with a pair of 733K Grips:
2 stationary jaws
2 moving jaws
- Jaw Height: 25.4 mm (1")
- Jaw Width Options (custom jaws upon request):
25.4 mm (1") to 152.4 mm (6")
- Jaw Surface Options:
smooth, serrated, diamond serrated, rubber covered,
and line contact



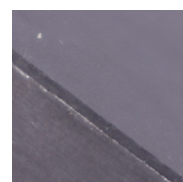
Common Jaw Options for 733K Pneumatic Grips

Moving Jaws

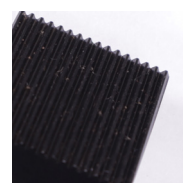
Part Number	Type	Size (H x W) - Each
00733-0171	Blank (smooth) jaw	25.4 x 25.4 mm
00733-0171R	Rubber coated jaw	25.4 x 25.4 mm
00733-0171S	Serrated jaw	25.4 x 25.4 mm
00733-0178	Line contact jaw	.063 radius x 25.4 mm
00733-0181	Blank (smooth) jaw	25.4 x 50.8 mm
00733-0181R	Rubber coated jaw	25.4 x 50.8 mm
00733-0181S	Serrated jaw	25.4 x 50.8 mm
00733-0179	Blank (smooth) jaw	25.4 x 76.2 mm
00733-0179R	Rubber coated jaw	25.4 x 76.2 mm
00733-0179S	Serrated jaw	25.4 x 76.2 mm
00733-0193	Thin line contact jaw	.063 radius x 76.2 mm



Blank (Smooth)



Rubber



Serrated



Line Contact

Stationary Jaws

Part Number	Type	Size (H x W) - Each
00733-0172	Blank (smooth) jaw	25.4 x 25.4 mm
00733-0172R	Rubber coated jaw	25.4 x 25.4 mm
00733-0172S	Serrated jaw	25.4 x 25.4 mm
00733-0182	Blank (smooth) jaw	25.4 x 50.8 mm
00733-0182R	Rubber coated jaw	25.4 x 50.8 mm
00733-0182S	Serrated jaw	25.4 x 50.8 mm
00733-0174	Blank (smooth) jaw	25.4 x 76.2 mm
00733-0174R	Rubber coated jaw	25.4 x 76.2 mm
00733-0174S	Serrated jaw	25.4 x 76.2 mm
00733-0194	Thin rubber coated jaw	25.4 x 76.2 mm

- Jaw Height: 25.4 mm (1")
- Jaw Width Options (custom jaws upon request): 25.4 mm (1") to 152.4 mm (6")
- Jaw Surface Options: blank (smooth), serrated, diamond serrated, rubber covered, and line contact